

TECHNICAL FEATURES

Weight: 1,5 Kg (light arm not included)

Power supply:

a. 10.5/13 V switch

b. 17/24 V with potentiometer

c. 17 with sensor

Power consumption: 50W

Dimension of Pattern: 100x200 mm

Light Intensity: 15.000 - 25.000 lux

Colour Temperature: 4.500 K

Bulb Tungsten Halogen Type: H-star 12v

50w Low Pressure

Available colours:

RAL 9010, RAL 9006, RAL 9005,

RAL 9016, RAL 9002, RAL 9003...

DENTAL LIGHT with arm 1470 mm (on request 1670 mm)



86480000	DENTAL LIGHT VISION SWITCH
86490000	DENTAL LIGHT VISION POTENTIOMETER
86670000	DENTAL LIGHT VISION SENSOMATIC



86510000	DENTAL LIGHT VISION SWITCH FOR CEILING APPLICATION
86540000	DENTAL LIGHT VISION POTENTIOMETER FOR CEILING APPLICATION
86690000	DENTAL LIGHT VISION SENSOMATIC FOR CEILING APPLICATION

86050000	VISION LIGHT HEAD SWITCH
86010000	VISION LIGHT HEAD POTENTIOMETER
86060000	VISION LIGHT HEAD SENSOMATIC

SPARE PARTS

8601011/REV2	Bulb Holder
86010024	Bulb
86010117	Bulb holder cap
86010031	Reflector
86010063	Protection screen

ERGONOMY

Designed to be ergonomic and modern at the same time, our dental operating light VISION is also very easy to clean.

ITALIAN DESIGN

The operating light VISION it's on the market since 20 years, with excellent results.

REFLECTOR

Simple and functional, thanks to the coated reflector glass guarantees a light pattern without shadows and imperfections and a cold white light.

VERSIONS:**Switch**

This model allows to choose the needed light intensity from 15000 to 25000 lux.

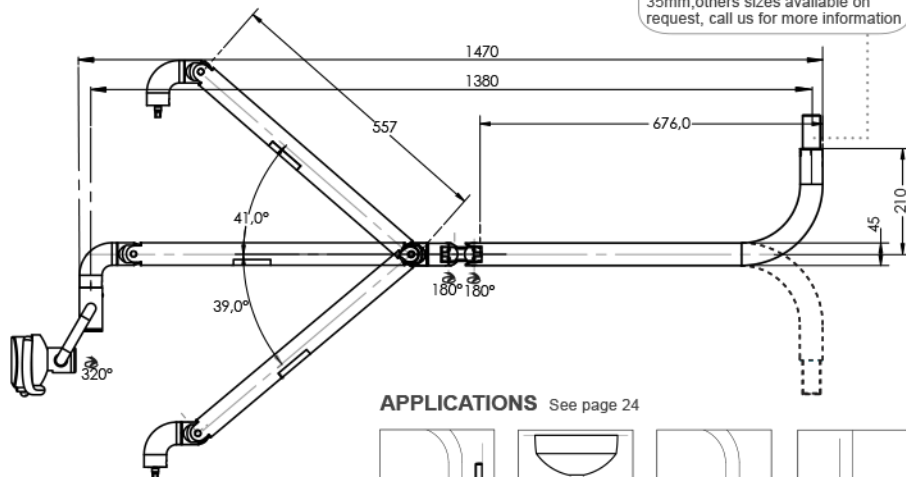
With potentiometer

This model allows the progressive regulation between 15000 and 25000 lux.

Sensomatic

This model allows to switch on-off the light just passing one hand.

ARM PIVOT:
standard size for unit mount
35mm, others sizes available on
request, call us for more information

**APPLICATIONS** See page 24